

浩越通风 HOYOFAN

HOYOFAN
浩越通风
Haoyue Ventilation

EXCELLENT QUALITY 品质卓越 值得信赖
TRUST WORTHY

HOYOFAN 宁波市浩越风机制造有限公司
Ningbo Haoyue Fan Manufacturing Co., Ltd.

公司地址: 浙江省余姚市泗门镇共济路7号
Add: #7, Gongji Road, Simen Town, Yuyao City, Zhejiang Province, China 315470
电话: +86 199 57426369 +86 134 54734760
Tel: +86 199 57426369 +86 13858309234
Email: sales@hoyofan.com Https: www.hoyofan.com



宁波市浩越风机制造有限公司
Ningbo Haoyue Fan Manufacturing Co., Ltd.

HOYOFAN

EXCELLENT QUALITY
TRUST WORTHY

品质卓越 值得信赖

宁波市浩越风机制造有限公司
余姚市嘉乐通风设备厂

公司简介

宁波浩越风机制造有限公司是一家专业生产离心风机、空气净化风机、换气扇、除湿风机、吊顶单进风风机等中央空调末端空调产品的生产加工厂家。

公司在前向离心风机和叶轮方面具有丰富的研发和生产经验，采用单相直联式交流、EC 电机传动结构，为全球知名企业提供了多种优质产品和专业的通风解决方案。

离心风机具有效率高、噪音低、调速方便、结构空间小等特点，是变风量空调机组、风管空调机组、HVACR 系统及新风系统、空气净化设备等理想的配套产品。

我们的诚信、实力和产品质量获得业界的高度认可。欢迎各界朋友莅临参观、指导和业务洽谈。

Ningbo Haoyue Fan Manufacturing Co., Ltd. is a professional manufacturer and processing factory of centrifugal fan, air purifier fan, ventilation fan, dehumidifier fan, ceiling single air inlet fan and other air conditioning products of central air conditioning terminal .

The company has experienced research ,development and production in forward connected centrifugal fans and impellers, which adopt the transmission structure of single-phase direct connected AC and EC motors. It has provided a variety of high-quality products and professional air ventilation solutions for well-known enterprises on the world.

Centrifugal fans are characterized by high efficiency, low noise, convenient speed regulation and small space structure. They are ideal supporting products for variable air volume air conditioning units, duct air conditioning units, HVACR systems and fresh air systems, air purification equipment and so on.

Our Factory' s integrity, strength and product quality are highly recognized by the industry. Welcome friends from all the world to visit, guide and negotiate business.

企业文化 Corporate Culture

我们的使命 Our Mission:

创造更舒适的环境, 努力为社会提供最高效的通风风机。

Having a more comfortable environment, striving to provide the most efficient air ventilation fans for the society.

企业愿景 Corporate Vision:

聚焦客户, 迅速行动, 展现勇气, 持续进步。

Focus on customers, take action, show courage, continue improving.

企业价值观 Corporate Values :

诚信正直、信守承诺。

Honesty ,integrity and commitment.

工匠精神：专业+专注

Professionalism: Professional and persistent.

激情 Passion: 乐观积极, 永远为成功找方法。

Optimistic and positive, always striving to success.



WORKSHOP 生产车间





目录 CONTENTS

1 交流直连式前向离心风机 AC MOTOR DIRECT DRIVE FORWARD CURVE CENTRIFUGAL FAN

LKZ 7-5	—————	LKZ 7-7	—————●	01
LKZ 8-8	—————		●	03
LKZ 9-9	—————		●	05
LKZ 10-10	—————		●	07
LKZ 12-9	—————	LKZ 12-12	—————●	09

2 直流直连式前向离心风机 EC MOTOR DIRECT DRIVE FORWARD CURVE CENTRIFUGAL FAN

SYZ 7-5	—————	SYZ 7-7	—————●	11
SYZ 8-8	—————		●	13
SYZ 9-9	—————		●	15
SYZ 10-10	—————		●	16

3 外转子双进风离心风机 EXTERNAL MOTOR DOUBLE INLET CURVE CENTRIFUGAL FAN (SYT)

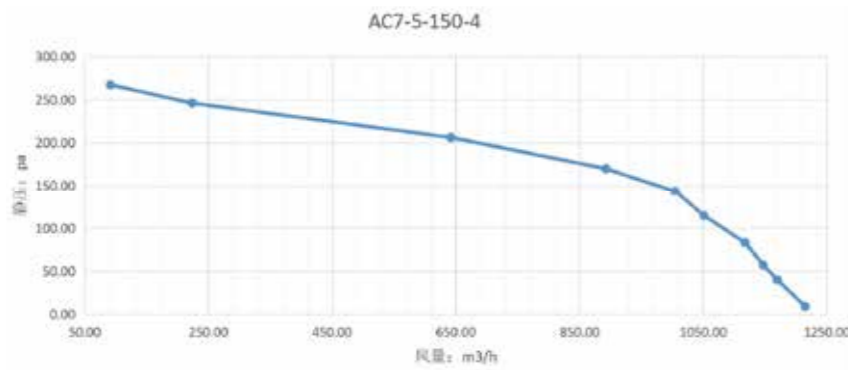
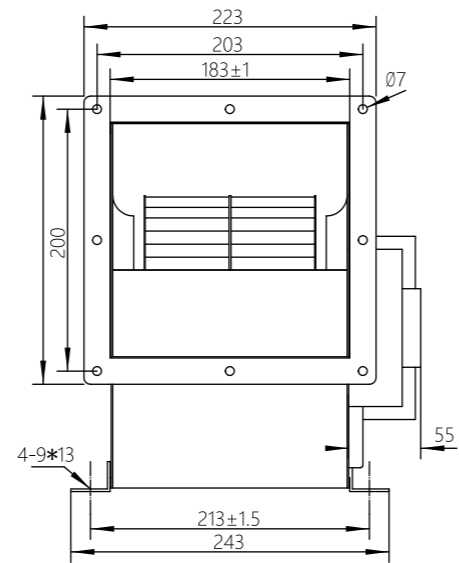
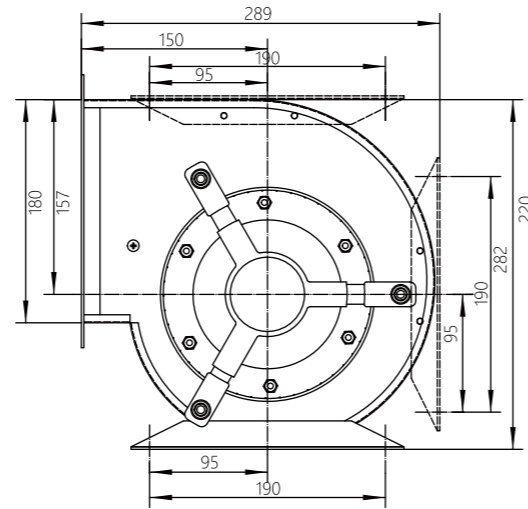
	—————		●	17
--	-------	--	---	----

4 风机叶轮及配件 IMPELLER AND SPARE PARTS

	—————		●	19
--	-------	--	---	----

HOYO FAN 浩越风机

LKZ 7-5-150W



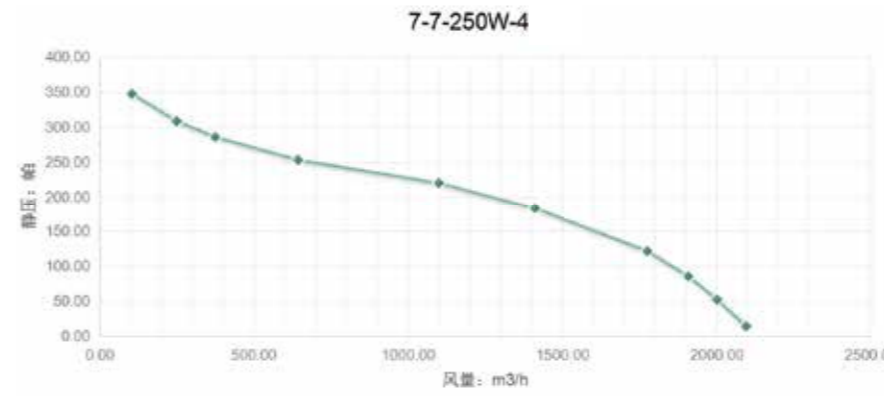
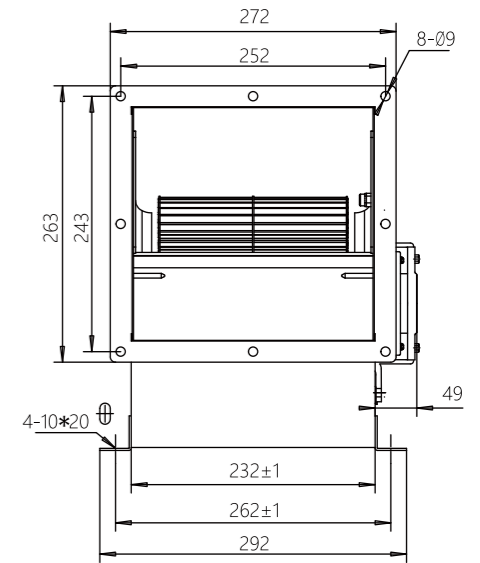
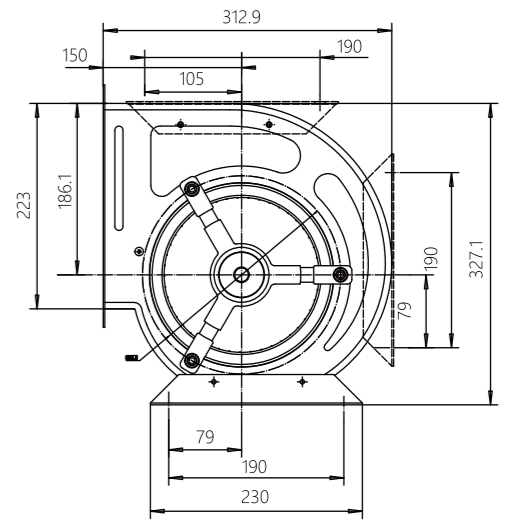
工况序号 Condition	风室静压 S. Pressure	风量 Air Flow	风室全压 T. Pressure	电流 Current	转速 Speed	功率 Power
单位 Unit	Pa	m³/h	Pa	A	r/min	W
1	267.15	91.67	283.47	0.82	1456.00	160.00
2	245.91	223.93	262.23	0.83	1451.00	165.00
3	206.18	642.36	222.49	0.93	1405.00	197.00
4	169.92	892.72	186.22	1.05	1355.00	224.00
5	143.47	1004.47	159.76	1.12	1323.00	243.00
6	114.72	1050.92	131.01	1.15	1305.00	251.00
7	83.31	1117.54	99.59	1.19	1288.00	257.00
8	57.13	1146.87	73.41	1.21	1278.00	262.00
9	40.01	1169.53	56.28	1.23	1264.00	267.00
10	8.97	1214.38	25.24	1.26	1246.00	273.00

3-Year Warranty
Professional technology

Quality motor
Multi applications

Support OEM
Effective-cost

LKZ 7-7-250W



工况序号 Condition	风室静压 S. Pressure	风量 Air Flow	风室全压 T. Pressure	电流 Current	转速 Speed	功率 Power
单位 Unit	Pa	m³/h	Pa	A	r/min	W
1	347.45	103.55	363.40	1.45	1456.00	250.00
2	308.54	248.70	324.49	1.46	1452.00	262.00
3	285.83	373.72	301.79	1.47	1447.00	267.00
4	253.06	642.44	269.01	1.50	1430.00	284.00
5	220.10	1098.88	236.07	1.58	1396.00	316.00
6	183.11	1410.61	199.09	1.69	1358.00	350.00
7	121.40	1774.47	137.40	1.91	1295.00	404.00
8	85.51	1907.15	101.51	2.03	1254.00	435.00
9	52.09	2000.56	68.09	2.11	1220.00	455.00
10	14.19	2094.35	30.19	2.24	1165.00	482.00

过载及抗干扰能力强

可适应复杂环境

工艺优良

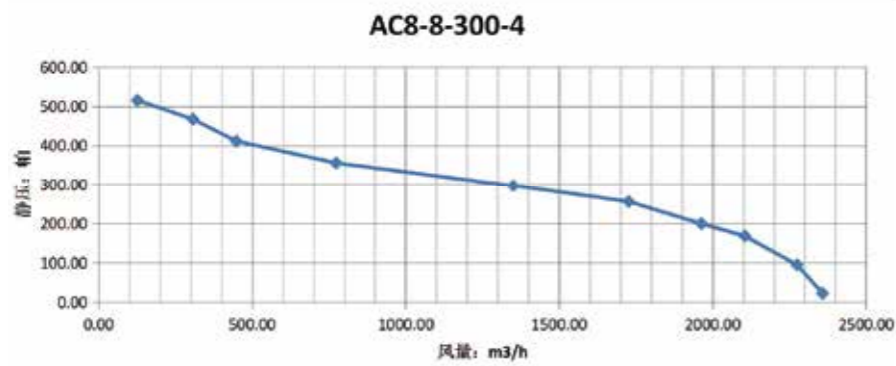
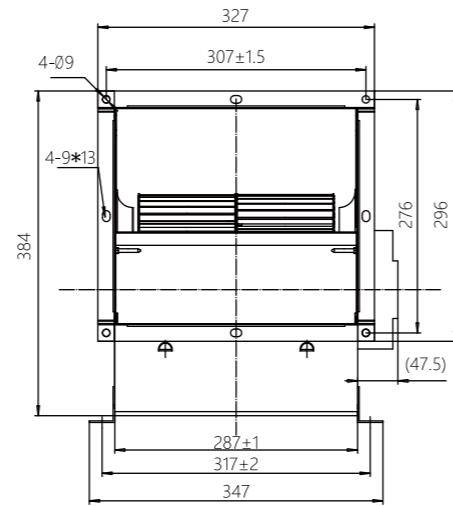
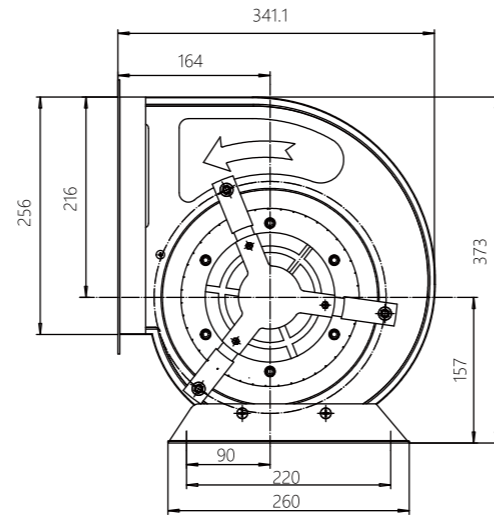
加工定制

专业生产

物美价廉

HOYO FAN 浩越风机

LKZ 8-8-300W



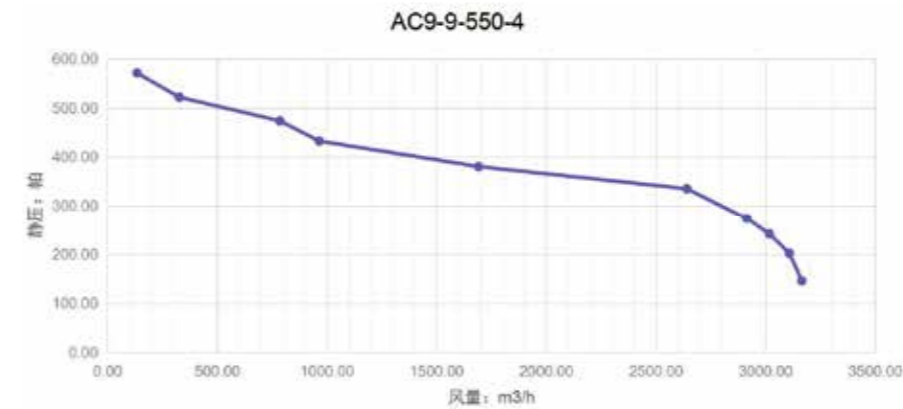
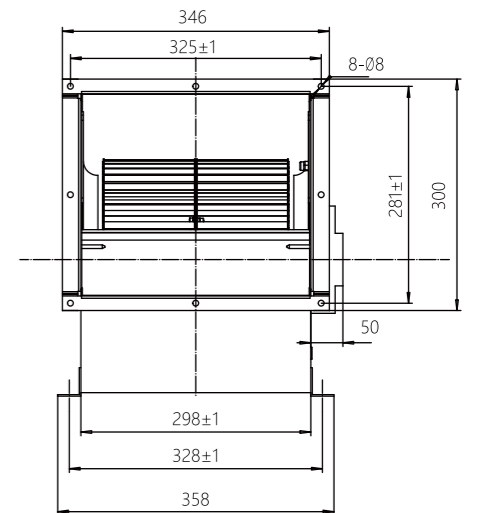
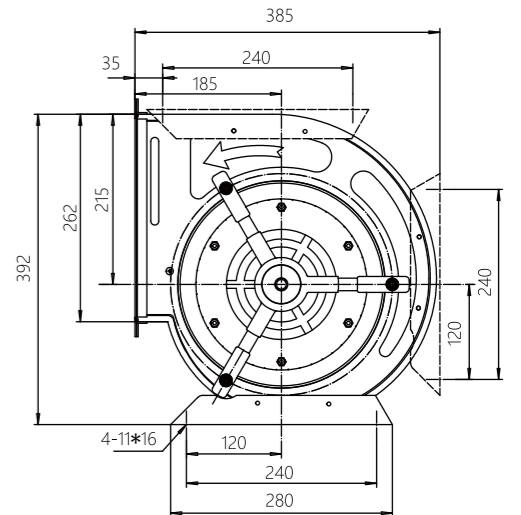
工况序号 Condition	风室静压 S. Pressure	风量 Air Flow	风室全压 T. Pressure	电流 Current	转速 Speed	功率 Power
单位 Unit	Pa	m³/h	Pa	A	r/min	W
1	515.63	126.70	531.61	1.30	1428.00	280.00
2	467.20	307.73	483.18	1.33	1425.00	284.00
3	411.35	448.84	427.33	1.33	1424.00	285.00
4	355.32	773.79	371.30	1.44	1408.00	310.00
5	296.36	1351.03	312.34	1.73	1366.00	373.00
6	255.25	1726.77	271.24	1.98	1310.00	434.00
7	199.31	1963.23	215.30	2.23	1255.00	438.00
8	168.00	2104.72	183.99	2.35	1255.00	514.00
9	94.67	2274.89	110.65	2.68	1106.00	582.00
10	22.80	2358.31	38.78	2.83	1020.00	623.00

3-Year Warranty
Professional technology

Quality motor
Multi applications

Support OEM
Effective-cost

LKZ 9-9-550W



工况序号 Condition	风室静压 S. Pressure	风量 Air Flow	风室全压 T. Pressure	电流 Current	转速 Speed	功率 Power
单位 Unit	Pa	m³/h	Pa	A	r/min	W
1	571.39	134.20	587.48	1.73	1454.00	364.00
2	521.95	326.88	538.04	1.75	1452.00	369.00
3	473.79	785.53	489.88	1.95	1438.00	423.00
4	423.68	964.78	448.77	2.10	1428.00	452.00
5	380.68	1690.51	396.77	2.62	1392.00	568.00
6	335.27	2640.76	351.35	3.70	1298.00	805.00
7	273.84	2913.40	289.92	4.20	1230.00	910.00
8	241.98	3016.54	258.05	4.40	1195.00	960.00
9	201.79	3108.02	217.86	4.73	1142.00	1018.00
10	145.94	3165.05	162.01	5.01	1057.00	1072.00

过载及抗干扰能力强

可适应复杂环境

工艺优良

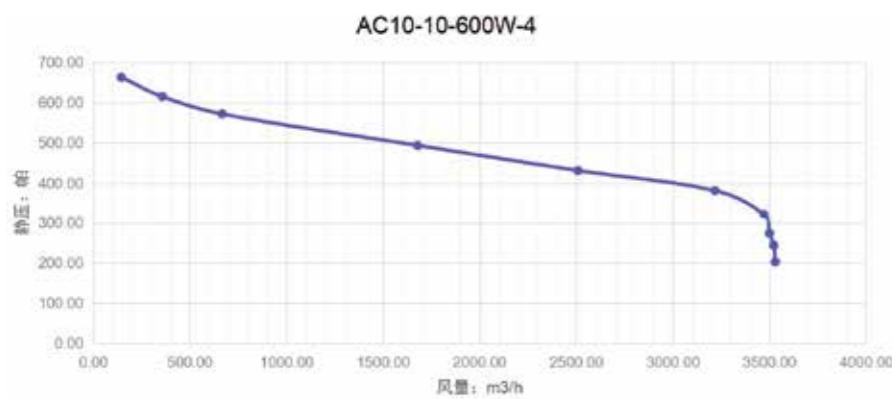
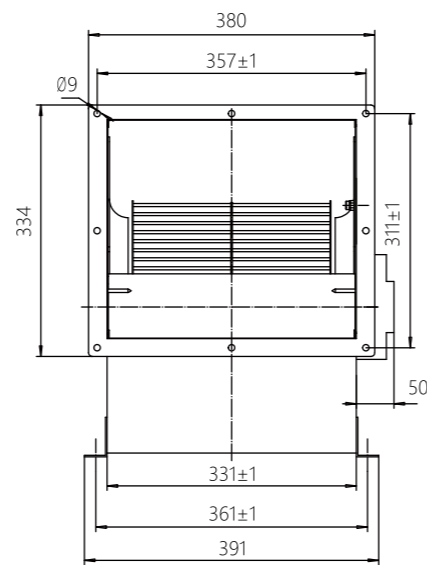
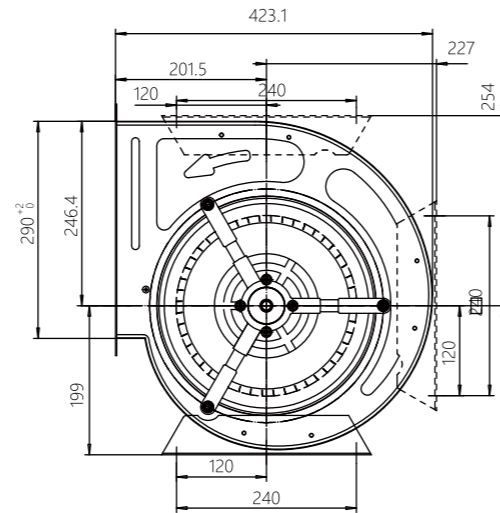
加工定制

专业生产

物美价廉

HOYO FAN 浩越风机

LKZ 10-10-600W

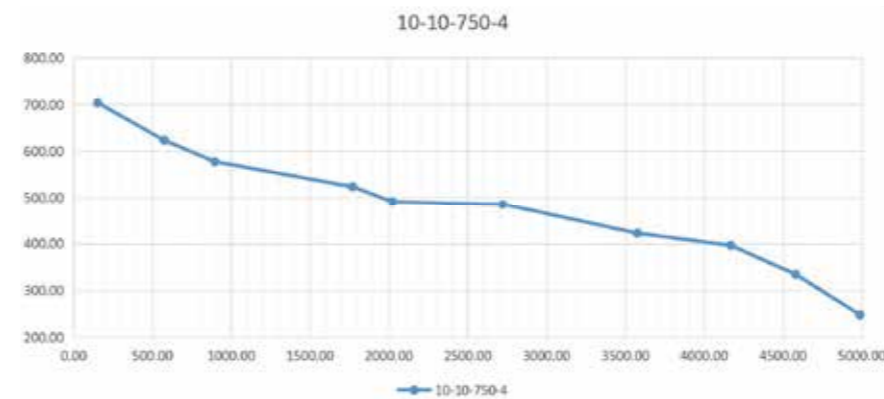
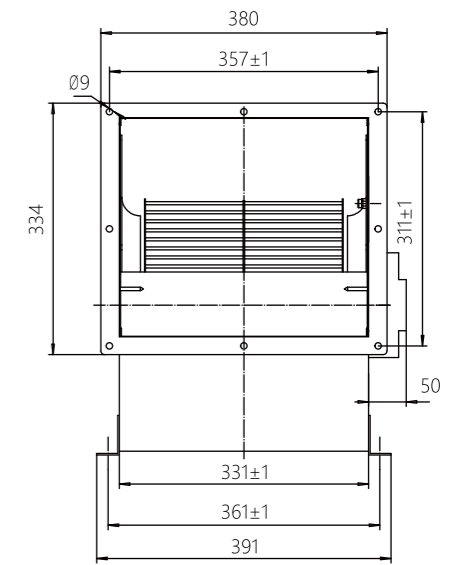
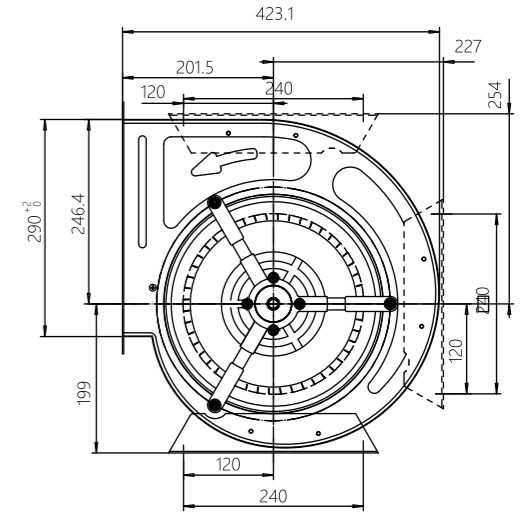


3-Year Warranty
Professional technology

Quality motor
Multi applications

Support OEM
Effective-cost

LKZ 10-10-750W



过载及抗干扰能力强

可适应复杂环境

工艺优良

加工定制

专业生产

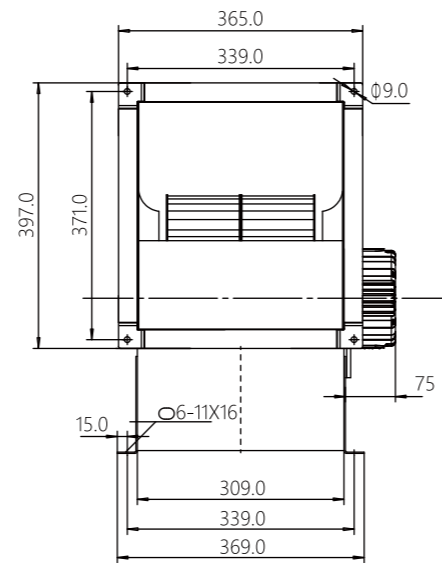
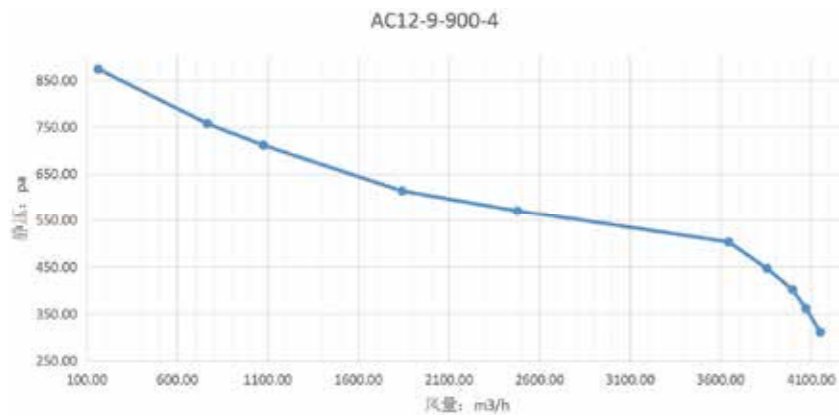
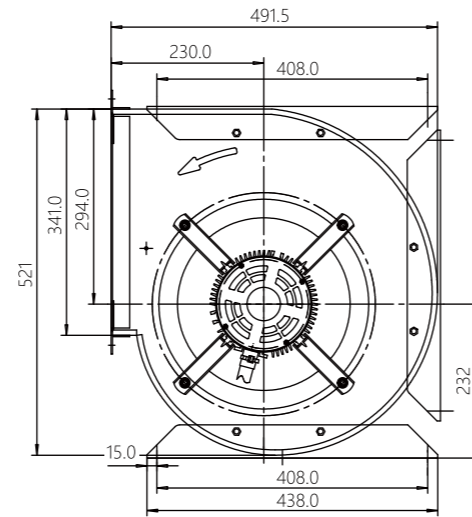
物美价廉

工况序号 Condition	风室静压 S. Pressure	风量 Air Flow	风室全压 T. Pressure	电流 Current	转速 Speed	功率 Power
单位 Unit	Pa	m³/h	Pa	A	r/min	W
1	663.49	144.84	679.61	2.48	1435.00	532.00
2	615.43	356.84	631.54	2.57	1432.00	538.00
3	572.30	666.80	588.42	2.65	1427.00	560.00
4	494.21	1678.14	510.31	3.34	1384.00	720.00
5	431.77	2507.64	447.87	4.22	1312.00	920.00
6	381.60	3217.42	937.70	5.20	1215.00	1123.00
7	322.18	3470.02	338.29	5.72	1122.00	1215.00
8	273.47	3499.48	289.58	5.94	1058.00	1263.00
9	243.53	3522.26	259.64	6.01	1015.00	1273.00
10	202.33	3529.34	218.44	6.12	945.00	1295.00

工况序号 Condition	风室静压 S. Pressure	风量 Air Flow	风室全压 T. Pressure	电流 Current	转速 Speed	功率 Power
单位 Unit	Pa	m³/h	Pa	A	r/min	W
1	703.41	153.20	720.29	1.26	1440.00	469.70
2	623.12	576.23	639.97	1.29	1437.00	494.00
3	577.34	896.56	594.19	1.31	1431.00	517.50
4	523.60	1770.08	540.43	1.49	1398.00	707.50
5	491.19	2023.05	508.01	1.54	1386.00	755.30
6	484.96	2722.08	501.77	1.78	1343.00	958.20
7	422.32	3578.12	439.13	2.08	1299.00	1192.00
8	396.34	4168.53	413.12	2.33	1234.00	1373.60
9	334.54	4579.92	351.31	2.57	1180.00	1547.00
10	248.02	4988.38	264.78	2.88	1116.00	1745.80

HOYO FAN 浩越风机

LKZ 12-9-900W



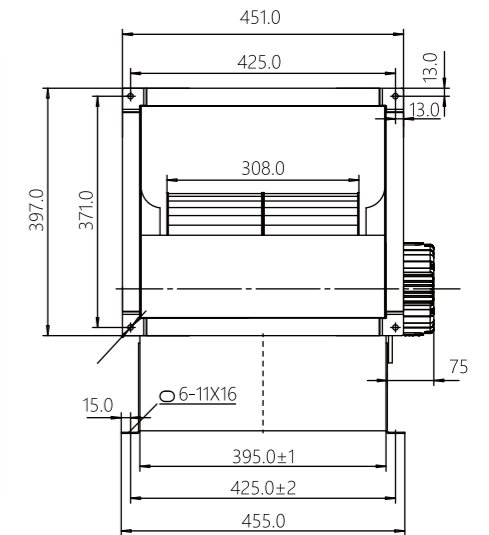
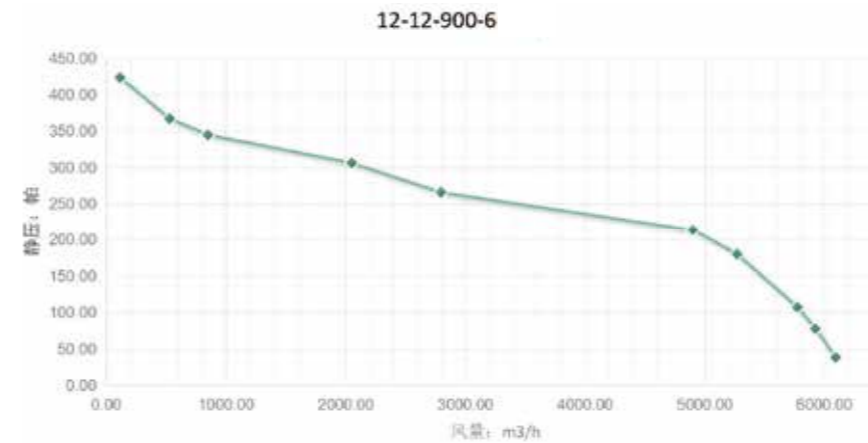
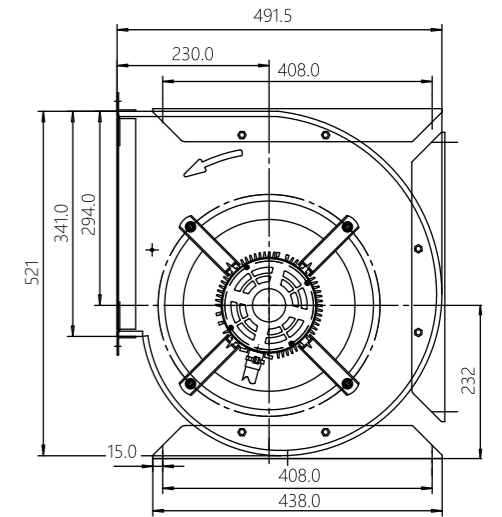
工况序号 Condition	风室静压 S. Pressure	风量 Air Flow	风室全压 T. Pressure	电流 Current	转速 Speed	功率 Power
单位 Unit	Pa	m³/h	Pa	A	r/min	W
1	873.06	164.44	889.00	3.84	1430.00	825.00
2	757.06	766.19	773.00	3.92	1426.00	846.00
3	711.19	1075.48	727.12	4.12	1418.00	892.00
4	613.23	1842.39	629.15	4.77	1390.00	1033.00
5	570.38	2478.16	586.30	5.60	1355.00	1215.00
6	503.27	3643.04	519.19	7.29	1360.00	1577.00
7	446.60	3856.45	462.52	7.66	1215.00	1670.00
8	401.46	3996.65	417.38	7.96	1170.00	1722.00
9	362.01	4069.71	377.92	8.04	1145.00	1755.00
10	311.01	4150.65	326.93	8.36	1100.00	1806.00

3-Year Warranty
Professional technology

Quality motor
Multi applications

Support OEM
Effective-cost

LKZ 12-12-900W



工况序号 Condition	风室静压 S. Pressure	风量 Air Flow	风室全压 T. Pressure	电流 Current	转速 Speed	功率 Power
单位 Unit	Pa	m³/h	Pa	A	r/min	W
1	423.53	114.50	439.57	3.04	974.00	645.00
2	367.22	528.41	383.27	3.09	972.00	663.00
3	345.07	847.70	361.11	3.18	970.00	685.00
4	306.34	2049.81	322.38	3.69	955.00	795.00
5	266.06	2796.06	282.11	4.08	940.00	882.00
6	213.78	4899.77	229.84	5.53	882.00	1205.00
7	180.27	5268.82	196.33	5.86	860.00	1265.00
8	107.30	5772.34	123.35	6.40	815.00	1400.00
9	77.91	5922.41	93.97	6.60	790.00	1439.00
10	38.64	6092.08	54.69	6.85	758.00	1500.00

过载及抗干扰能力强

可适应复杂环境

工艺优良

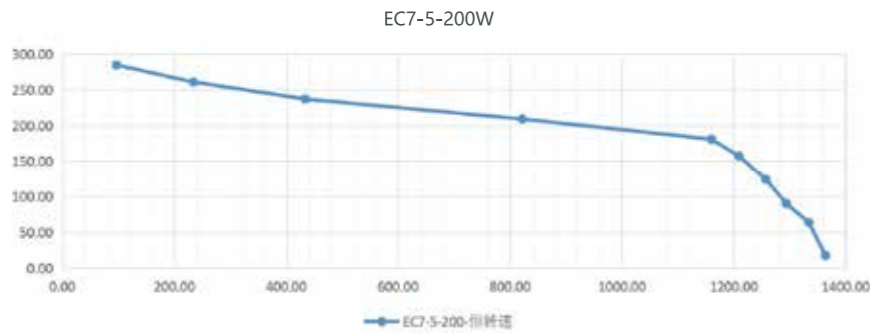
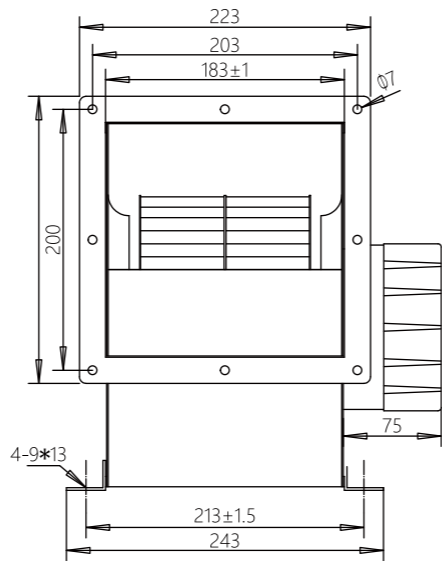
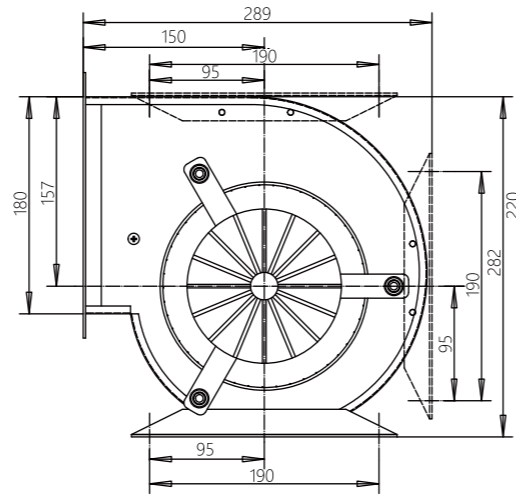
加工定制

专业生产

物美价廉

HOYO FAN 浩越风机

SYZ 7-5

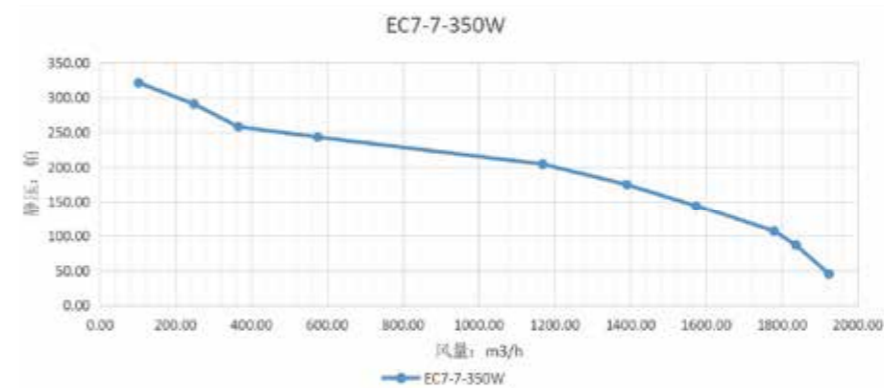
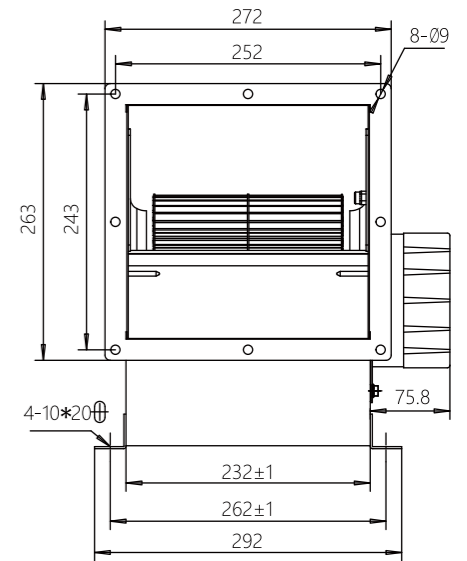
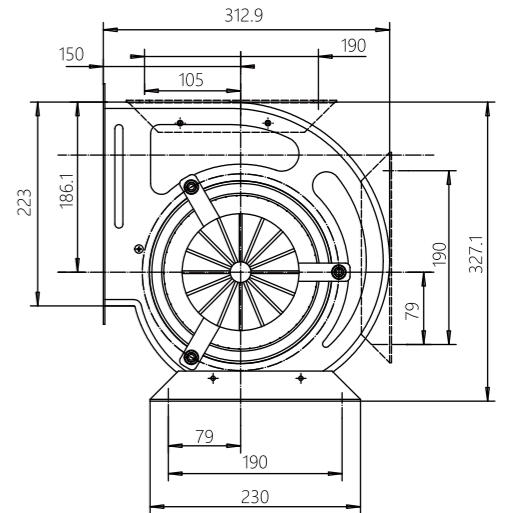


3-Year Warranty
Professional technology

Quality motor
Multi applications

Support OEM
Effective-cost

SYZ 7-7



过载及抗干扰能力强
可适应复杂环境
工艺优良
加工定制
专业生产
物美价廉

工况序号 Condition	风室静压 S. Pressure	风量 Air Flow	风室全压 T. Pressure	电流 Current	转速 Speed	功率 Power
单位 Unit	Pa	m³/h	Pa	A	r/min	W
1	285.28	96.45	302.02	0.45	1458.00	57.00
2	261.11	234.23	277.85	0.51	1459.00	65.00
3	237.49	434.01	254.23	0.66	1458.00	85.00
4	209.38	822.14	226.12	1.16	1458.00	154.00
5	181.19	1159.82	197.92	1.68	1458.00	230.00
6	157.47	1209.20	174.20	1.77	1460.00	242.00
7	124.06	1257.26	140.79	1.88	1456.00	256.00
8	90.27	1293.84	107.00	1.95	1459.00	267.00
9	63.81	1334.24	80.54	2.01	1456.00	280.00
10	17.85	1363.95	34.58	1.99	1464.00	275.00

工况序号 Condition	风室静压 S. Pressure	风量 Air Flow	风室全压 T. Pressure	电流 Current	转速 Speed	功率 Power
单位 Unit	Pa	m³/h	Pa	A	r/min	W
1	321.08	102.35	337.92	0.60	1354.00	76.00
2	290.68	248.85	337.53	0.63	1354.00	80.00
3	258.00	365.45	274.84	0.66	1354.00	83.00
4	243.17	575.20	259.99	0.81	1354.00	102.00
5	204.35	1168.83	221.17	1.38	1354.00	182.00
6	174.87	1390.38	191.67	1.69	1354.00	222.00
7	144.01	1573.70	160.81	1.96	1354.00	267.00
8	107.12	1778.73	123.91	2.25	1332.00	309.00
9	86.70	1836.92	103.42	2.31	1295.00	319.00
10	45.50	1923.70	62.25	2.37	1248.00	330.00

HOYO FAN 浩越风机

SYZ 8-8

过载及抗干扰能力强

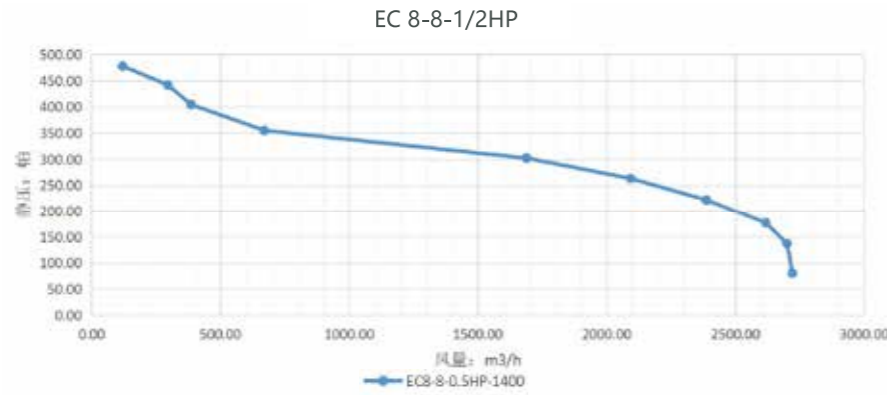
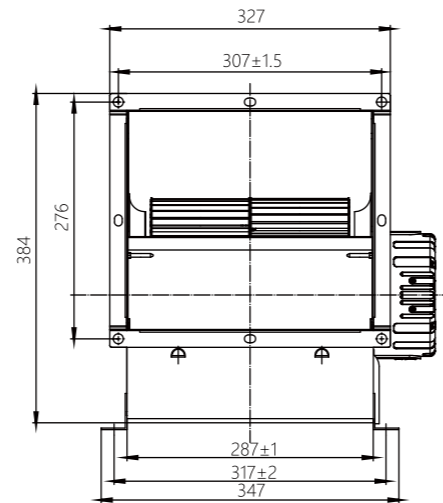
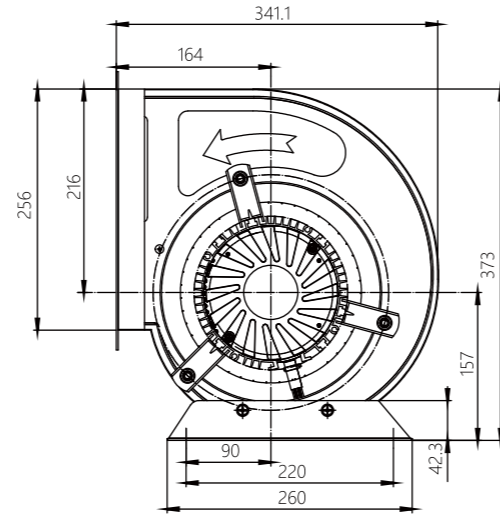
可适应复杂环境

工艺优良

加工定制

专业生产

物美价廉



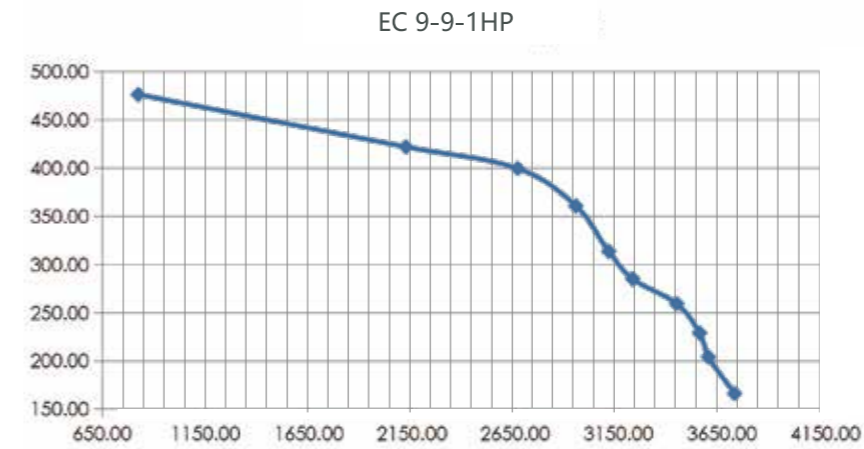
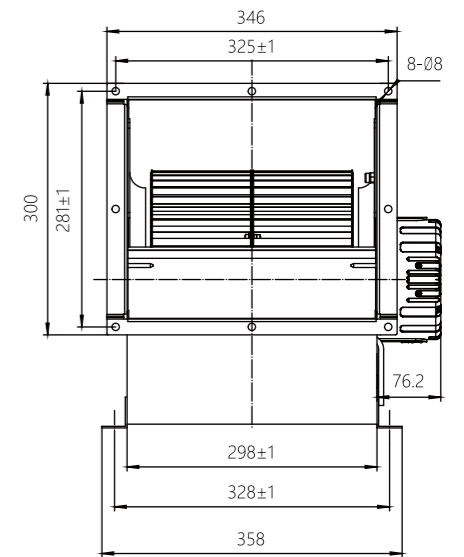
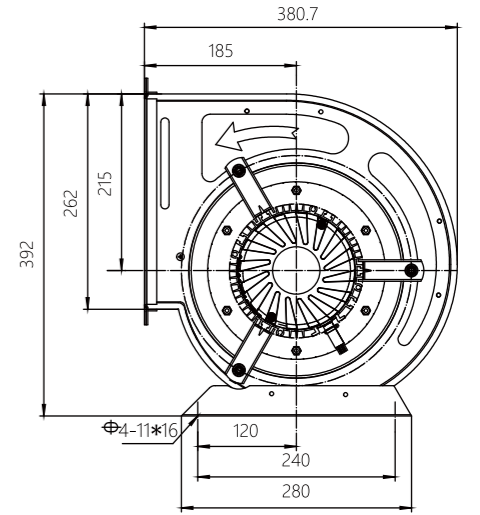
工况序号 Condition	风室静压 S. Pressure	风量 Air Flow	风室全压 T. Pressure	电流 Current	转速 Speed	功率 Power
单位 Unit	Pa	m³/h	Pa	A	r/min	W
1	477.64	120.73	493.38	1.19	1405.00	156.00
2	441.47	296.57	457.22	1.24	1405.00	162.00
3	404.39	386.40	420.15	1.25	1405.00	163.00
4	354.77	671.35	370.53	1.39	1405.00	186.00
5	302.04	1688.90	317.79	2.62	1404.00	372.00
6	263.22	2093.16	278.99	3.18	1404.00	462.00
7	221.74	2387.62	237.52	3.74	1404.00	550.00
8	177.07	2617.55	192.84	4.16	1390.00	616.00
9	136.96	2700.28	152.74	4.05	1350.00	601.00
10	80.29	2721.90	96.07	3.89	1292.00	578.00

3-Year Warranty
Professional technology

Quality motor
Multi applications

Support OEM
Effective-cost

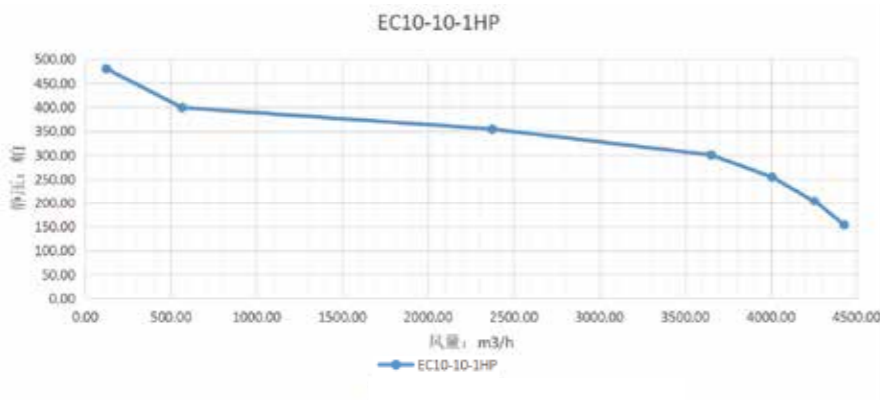
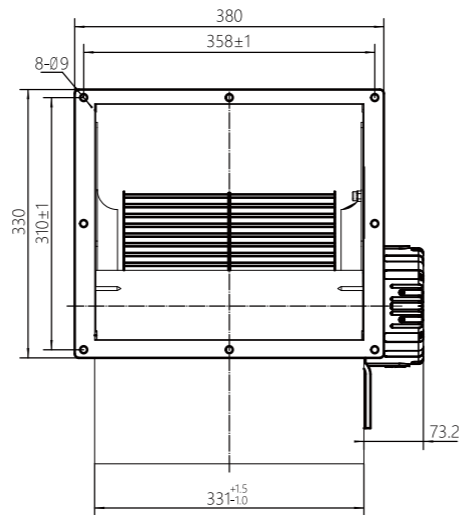
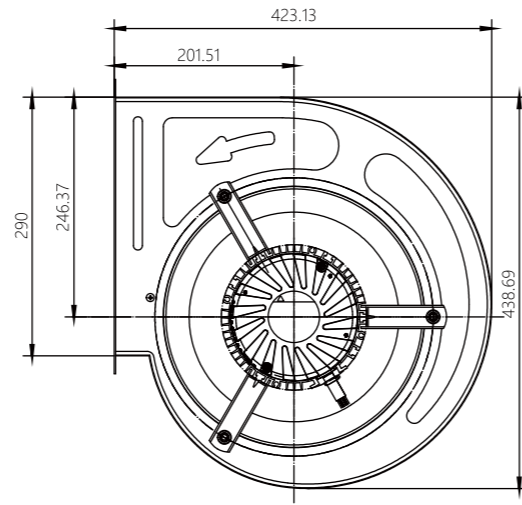
SYZ 9-9



工况序号 Condition	风室静压 S. Pressure	风量 Air Flow	风室全压 T. Pressure	电流 Current	转速 Speed	功率 Power
单位 Unit	Pa	m³/h	Pa	A	r/min	W
1	475.99	825.33	495.63	2.78	0.00	287.10
2	421.70	2120.97	551.36	5.40	0.00	586.90
3	399.36	2661.35	603.43	5.95	0.00	684.10
4	360.54	2943.32	610.08	6.17	0.00	723.20
5	313.39	3102.63	590.65	6.17	0.00	724.30
6	284.92	3218.28	583.21	6.26	0.00	739.50
7	259.28	3430.57	598.19	6.30	0.00	741.50
8	228.89	3541.66	590.08	6.32	0.00	751.60
9	203.89	3585.39	574.00	6.42	0.00	767.40
10	166.08	3711.25	562.66	6.44	0.00	769.00

HOYO FAN 浩越风机

SYZ 10-10



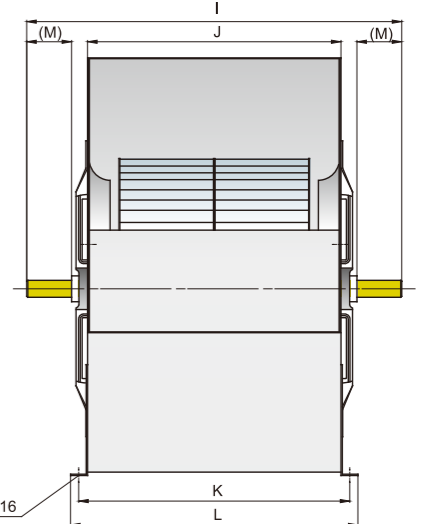
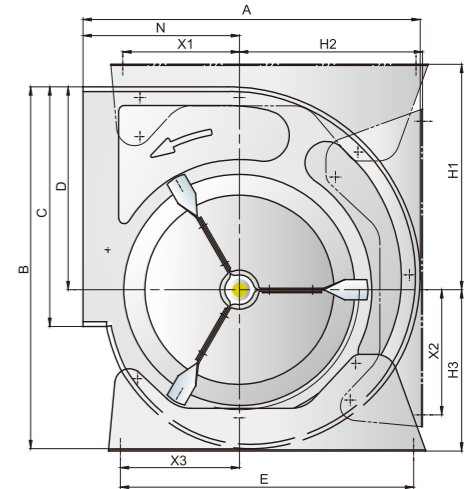
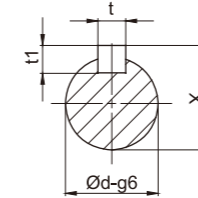
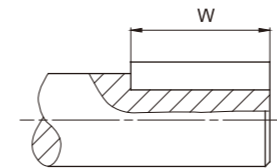
工况序号 Condition	风室静压 S. Pressure	风量 Air Flow	风室全压 T. Pressure	电流 Current	转速 Speed	功率 Power
单位 Unit	Pa	m³/h	Pa	A	r/min	W
1	479.74	124.24	496.17	1.44	1200.00	195.00
2	399.08	565.46	415.51	1.51	1200.00	208.00
3	354.50	2373.70	370.90	3.66	1200.00	535.00
4	300.66	3651.81	317.04	5.32	1160.00	806.00
5	254.89	4006.40	271.26	5.72	1140.00	880.00
6	203.52	4254.51	219.89	5.90	1058.00	905.00
7	153.54	4427.18	169.89	5.69	980.00	866.00
8	0.00	0.00	0.00	0.00	0.00	0.00
9	0.00	0.00	0.00	0.00	0.00	0.00
10	0.00	0.00	0.00	0.00	0.00	0.00

3-Year Warranty
Professional technology

Quality motor
Multi applications

Support OEM
Effective-cost

EXTERNAL ROTOR MOTOR DOUBLE INLET CENTRIFUGAL FAN (SYT Series)



Motor connection through pulleys and belts

Balanced impellers, class 6.3

Power of the motor to be calculated according point of work

Dim	A	B	C	D	E	I	J	K	L	M	N	X	t	t1	W	ØD	H1	H2	H3	X1	X2	X3	
Model																							
SYT 10-10L	425	444	289	249	340	490	331	357	381	56	203	28	8	7	50	25	287	227	198	136	132	135	
SYT 10-8L	425	444	289	249	340	410	265	291	315	48.5	203	28	8	7	40	25	287	227	198	136	132	135	
SYT 12-12L	491.5	521	341	294	408	565	395	421	445	61	230	28	8	7	60	25	332	266	232	161	153	161	
SYT 12-9L	491.5	521	341	294	408	465	309	335	359	54	230	28	8	7	40	25	332	266	232	161	153	161	
SYT 7-7L	312	328	228	192	180	370	259	279	299	32	152	22.5	6	6	30	20	224	164	164	90	90	90	
SYT 9-7L	380	387	262	215	300	370	232	258	282	43.5	185	22.5	6	6	30	20	253	199	177	119	124	123	
SYT 9-9L	380	387	262	215	300	450	298	324	348	51	185	22.5	6	6	30	20	253	199	177	119	124	123	

Unit: mm

型号 Model	最大电机功率 Maximum Power Motor	最高转速 Maximum Speed Turbine	最高风量 Air Flow Up To	最大静压 Maximum Pressure
单位 Unit	KW	rpm	m³/h	Pa
SYT 10-10L	2.2	1300	7500	460
SYT 10-8L	1.5	1300	6700	480
SYT 12-12L	3	1200	11000	550
SYT 12-9L	3	1200	10000	580
SYT 7-7L	1.1	2000	3400	500
SYT 9-7L	1.5	1500	5500	480
SYT 9-9L	1.5	1500	6000	450

过载及抗干扰能力强

可适应复杂环境

工艺优良

加工定制

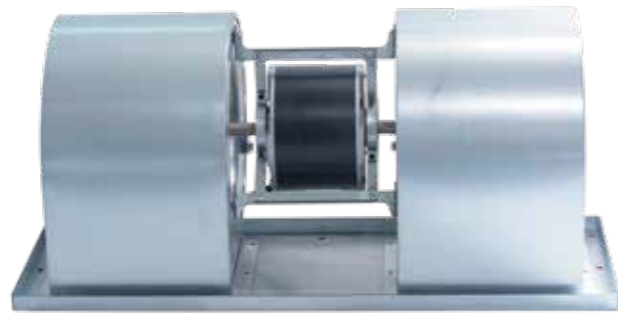
专业生产

物美价廉

3-Year Warranty Professional technology Quality motor Multi applications Support OEM Effective-cost

风机叶轮及配件
IMPELLERS AND SPARE PARTS

过载及抗干扰能力强
可适应复杂环境
工艺优良
加工定制
专业生产
物美价廉



10-10



10-10



280x128



280x128



260x240



260x240



160x60



160x60